

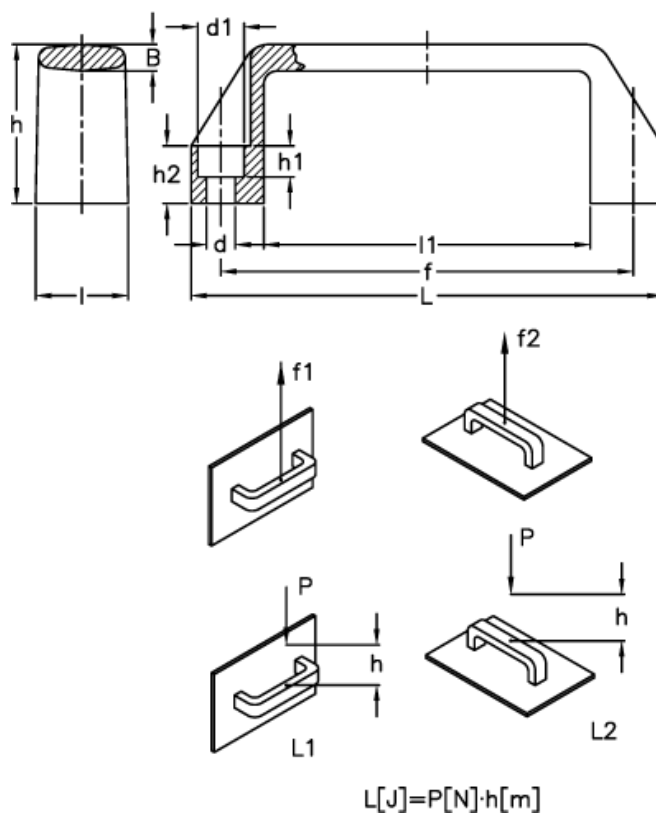
Data Sheet



Article number: 2304150001

Description: E+G Handle
M.443/110 AE-V0

Measures



B	= 6.0	$h2$	= 13
d	= 6.5	l	= 21
$d1$	= 10.5	L	= 107
f	= 93,5 +/- 0,5	$l1$	= 74
$F1$ (N)	= 1750	$L1$ (J)	= 9
$F2$ (N)	= 1700	$L2$ (J)	= 5
h	= 36		
$h1$	= 7.0		

$$L[J]=P[N]\cdot h[m]$$